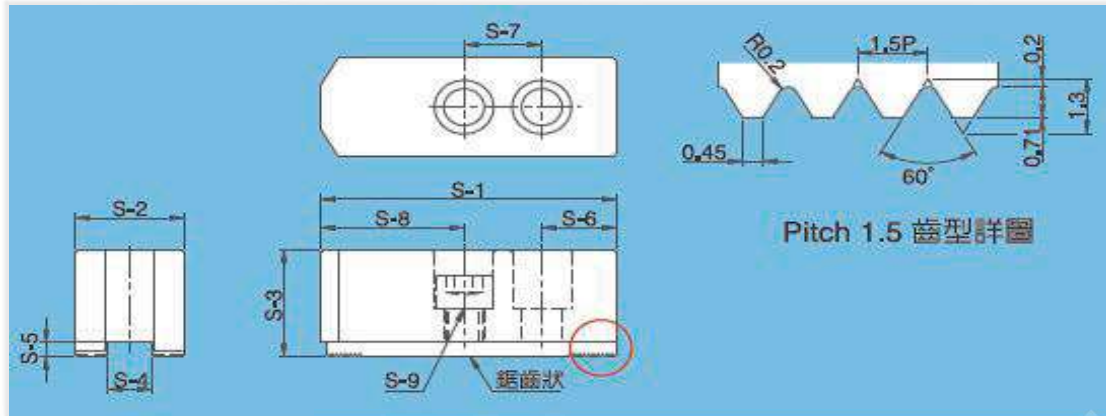


油压生爪

尺寸图 Dimensions



规格表 Specification

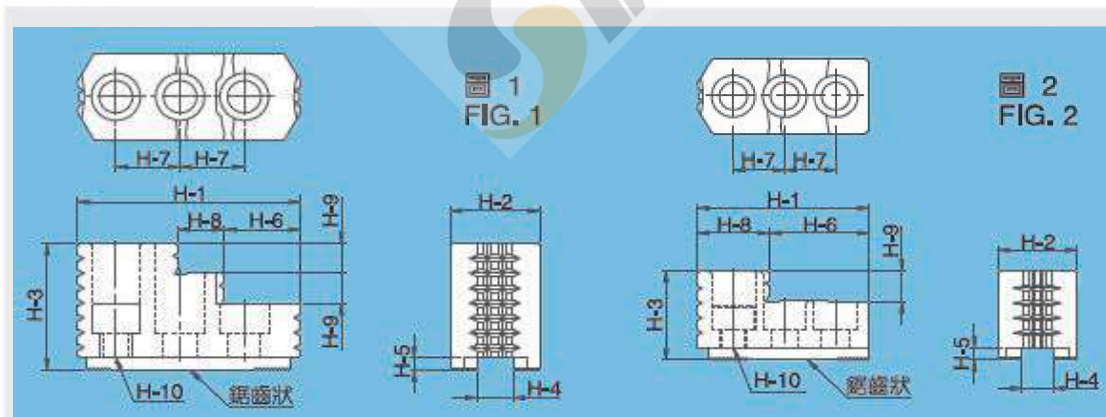
单位/UNT:mm

型号 Model	S-1	S-2	S-3	S-4	S-5	S-6	S-7	S-8	S-9	锯齿状节距 Serration Pitch	净重 Weight (kg)
SJ-04	49.5	23	23	10	4.5	10	14	25.5	M8 × 1.25P	1.5 × 60°	0.42
SJ-05	62	25	30	10	4.5	10	14	38	M8 × 1.25P	1.5 × 60°	0.85
SJ-06	73	31	36	12	5	15	20	38	M10 × 1.5P	1.5 × 60°	1.5
SJ-08	95	35	38	14	5	24	25	46	M12 × 1.75P	1.5 × 60°	2.4
SJ-10	110	40	42	16	5	30	30	50	M12 × 1.75P	1.5 × 60°	3.6
SJ-12	129	50	50	21(18)	6	39	30	60	M16 × 2P(M14 × 2P)	1.5 × 60°	6.1

HJ HYDRAULIC HARD JAW

油压硬爪

尺寸图 Dimensions



规格表 Specification

型号 Model	H-1	H-2	H-3	H-4	H-5	H-6	H-7	H-8	H-9	H-9	锯齿状节距 Serration Pitch	净重 Weight (kg)	参考图 Reference Drawing
HJ-04	53	23	28	10	4	29	14	24	10	M8 × 1.25P	1.5 × 60°	0.4	图2 Fig.2
HJ-05	53	23	28	10	4	29	14	24	10	M8 × 1.25P	1.5 × 60°	0.4	图2 Fig.2
HJ-06	67	31	36	12	5	39	20	28	12	M10 × 1.5P	1.5 × 60°	0.95	图2 Fig.2
HJ-08	87	35	51	14	5	29.5	25	18	12	M12 × 1.75P	1.5 × 60°	1.9	图1 Fig.1
HJ-10	101	40	54	16	5	45.5	30	18	13	M12 × 1.75P	1.5 × 60°	2.8	图1 Fig.1
HJ-12	108	50	67	21(18)	5	49	30	20	16	M16 × 2P(M14 × 2P)	1.5 × 60°	3.5	图1 Fig.1