

TK 超薄型中空回转油压缸

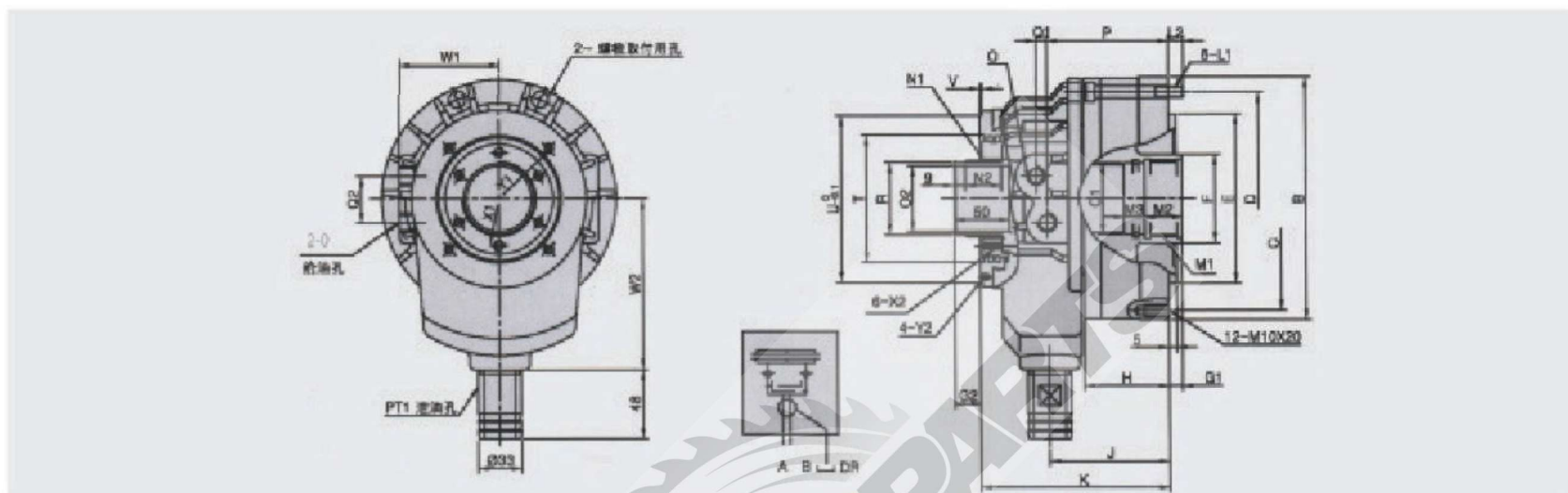
ULTRA THIN HOLLOW ROTARY OIL HYDRAULIC CYLINDER

中空回转油缸

- 超薄，大孔径型回转油压缸，全长仅为原来型的2/3。
- 内建逆止阀自锁机构。
- 安装时可由后端锁固之。
- Ultra-thin, large hole rotary oil hydraulic cylinder with total length of only two-thirds of the original type.
- Built-in non-return valve self-locking mechanism.
- When installing, fix it though rear locking.



尺寸图 Dimensions



规格表 Specification

单位/UNT:mm

型号 Model	活塞面积(cm ²) Piston area (cm ²)		最高回转速 min(r.p.m) Highest turnover number	最高使用压力 MPa(kgf/cm ²) Maximum working pressure		GD ² Kg.m ²	总曳油量Lit/min Total volume of oil drainage	重量 Weight (kg)
	推侧Press side	拉侧Pull side						
TK428	53.2	50.5	8000	3.5	(35)	0.03	2.0	5
TK536	70.7	62.8	8000	4.0	(40)	0.05	2.5	7.4
TK646	99.1	88.0	7000	4.0	(40)	0.06	3.0	9.7
TK852	135.3	125.0	6500	4.0	(40)	0.11	3.9	11.8
TK1075	179.5	163.5	5000	4.0	(40)	0.24	4.2	21.5

型号 Model	A	B	C	D	E (h7)	F	G1 (max)	G1 (min)	G2 (max)	G2 (min)	H	J	K	L1	L2	M1	M2	M3
TK428	90	126	100	112	80	40	10	0	23	13	53	88	135	M6×60	14	M33×1.5	25	15
TK536	105	142	115	124	100	48	15	0	27	12	65	94	150	M8×70	14	M42×1.5	25	15
TK646	125	165	130	147	100	65	15	0	28	13	68	86	153	M8×75	15	M55×2	30	15
TK852	150	185	170	165	130	70	20	0	30	10	73	102	164	M8×75	15	M60×2	30	15
TK1075	170	215	190	195	160	95	25	0	39	14	84	131	181	M10×90	20	M85×2	35	15

型号 Model	N1	N2	O	O1 (h8)	O2 (h8)	P	Q1	Q2	R (g7)	T	U	V	W1	W2	X1	X2	Y1	Y2
TK428	M34×1.5	25	PT3/8	30	28	89	7	28	32	65	86	2	63	80	43	M4×8	76	M4×7
TK536	M44×1.5	28	PT3/8	38	36	104	7	34	42	73	98	2	66	106	54	M5×8	83	M5×6
TK646	M52×1.5	24	PT3/8	50	46	108	7	36	50	90	116	2	79	119	63	M6×8	98	M5×6
TK852	M58×1.5	25	PT3/8	55	52	113	8	40	56	97	128	2	82	133	72	M6×8	110	M5×6
TK1075	M84×2	30	PT3/8	80	75	126	10	46	81	125	163	2	98	160	98	M6×8	155	M6×8