



IP65 Digital Indicators

407 Series



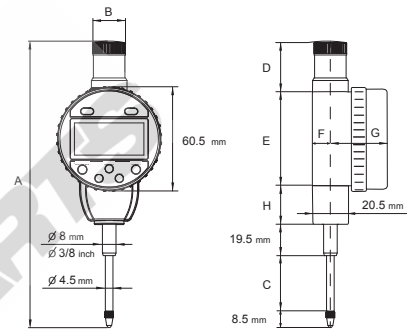
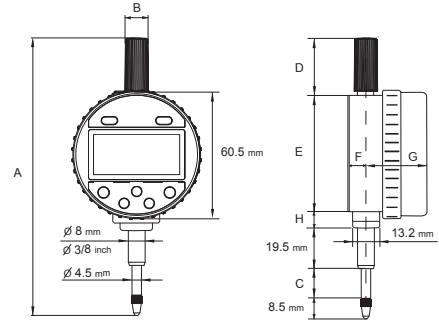
407-01-4



407-02-5



Lifting Level



FEATURES

- Resolution:
 - Inch: .0005"; .00005"
 - Metric: 0.01mm; 0.001mm
- Absolute measurement
- Tolerance measurement feature allows for the upper and lower tolerance for maximum and minimum
- Inch/Metric and ABS/INC conversion
- Flat back (attached) and lug back supplied
- Ø8mm stem diameter for metric models
- Ø3/8" stem diameter for inch models
- 330 deg. screen rotation
- Cable data output: 900-07-0/1
- Wireless data output:



Transmitting Device: 901-00-2/7

Receiver Device: 901-00-3

- Bluetooth data output: 901-01-0/3

Inch				Dimensions							
Code No.	Range	Resolution	Accuracy	A	B	C	D	E	F	G	H
407-01-3	0-.5"	.0005"	±.0015"	137mm	11mm	13.5mm	30mm	60.5mm	8.5mm	31.5mm	5mm
407-02-3	0-1"	.0005"	±.0015"	166.5mm	19.2mm	31.5mm	28mm	56.5mm	11mm	33.2mm	22.5mm
407-03-3	0-2"	.0005"	±.0015"	244mm	19.2mm	56mm	54.5mm	56.5mm	11mm	33.2mm	49mm
407-01-5	0-.5"	.00005"	±.00015"	137mm	11mm	13.5mm	30mm	60.5mm	8.5mm	31.5mm	5mm
407-02-5	0-1"	.00005"	±.00015"	166.5mm	19.2mm	31.5mm	28mm	56.5mm	11mm	33.2mm	22.5mm
407-03-5	0-2"	.00005"	±.0002"	244mm	19.2mm	56mm	54.5mm	56.5mm	11mm	33.2mm	49mm

Metric				Dimensions							
Code No.	Range	Resolution	Accuracy	A	B	C	D	E	F	G	H
407-01-2	0-12.7mm	0.01mm	0.02mm	137mm	11mm	13.5mm	30mm	60.5mm	8.5mm	31.5mm	5mm
407-02-2	0-25.4mm	0.01mm	0.02mm	166.5mm	19.2mm	31.5mm	28mm	56.5mm	11mm	33.2mm	22.5mm
407-03-2	0-50.8mm	0.01mm	0.02mm	244mm	19.2mm	56mm	54.5mm	56.5mm	11mm	33.2mm	49mm
407-01-4	0-12.7mm	0.001mm	0.004mm	137mm	11mm	13.5mm	30mm	60.5mm	8.5mm	31.5mm	5mm
407-02-4	0-25.4mm	0.001mm	0.005mm	166.5mm	19.2mm	31.5mm	28mm	56.5mm	11mm	33.2mm	22.5mm
407-03-4	0-50.8mm	0.001mm	0.006mm	244mm	19.2mm	56mm	54.5mm	56.5mm	11mm	33.2mm	49mm

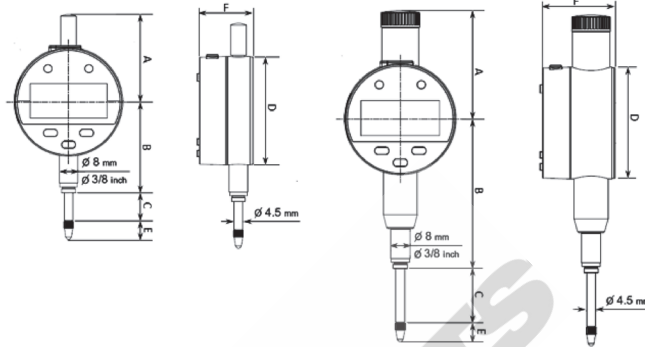


IP67 Digital Indicators

408 Series



408-01-7



FEATURES

- Resolution: .00005" / 0.001mm
- Inductive measurement system
- Analog display
- With preset value function, the initial value can be set arbitrarily
- Tolerance measurement feature allows for the upper and lower tolerance for maximum and minimum
- ABS/INC conversion
- Inch/Metric conversion
- Built in wireless transmission (optional)
- Automatic power off
- Cable data output: 900-05-4/5
- Wireless data output:
 - Transmitting Device: 901-00-4/6
 - Receiver Device: 901-00-3
- Protection level IP67

Inch					Dimensions					
Code No.	Range	Accuracy	Resolution	Data Output Type	A	B	C	D	E	F
408-01-7	0-.5"	±.0003"	.00005"	SPC	45.1mm	46.8mm	13.5mm	56.0mm	8.5mm	27.8mm
408-02-7	0-1"	±.0003"	.00005"	SPC	54.2mm	75.0mm	27.0mm	56.0mm	8.5mm	36.6mm
408-03-7	0-2"	±.0004"	.00005"	SPC	80.2mm	99.5mm	52.0mm	56.0mm	8.5mm	36.6mm
408-04-7	0-4"	±.0006"	.00005"	SPC	80.2mm	99.5mm	52.0mm	56.0mm	8.5mm	36.6mm
408-01-9	0-.5"	±.0003"	.00005"	Bluetooth	45.1mm	46.8mm	13.5mm	56.0mm	8.5mm	27.8mm
408-02-9	0-1"	±.0003"	.00005"	Bluetooth	54.2mm	75.0mm	27.0mm	56.0mm	8.5mm	36.6mm
408-03-9	0-2"	±.0004"	.00005"	Bluetooth	80.2mm	99.5mm	52.0mm	56.0mm	8.5mm	36.6mm
408-04-9	0-4"	±.0006"	.00005"	Bluetooth	130.3mm	149.5mm	103.4mm	56.0mm	8.5mm	26.6mm

Metric					Dimensions					
Code No.	Range	Accuracy	Resolution	Data Output Type	A	B	C	D	E	F
408-01-6	0-12.7mm	0.007mm	0.001mm	SPC	45.1mm	46.8mm	13.5mm	56.0mm	8.5mm	27.8mm
408-02-6	0-25.4mm	0.008mm	0.001mm	SPC	54.2mm	75.0mm	27.0mm	56.0mm	8.5mm	36.6mm
408-03-6	0-50.8mm	0.010mm	0.001mm	SPC	80.2mm	99.5mm	52.0mm	56.0mm	8.5mm	36.6mm
408-04-6	0-101.6mm	0.015mm	0.001mm	SPC	80.2mm	99.5mm	52.0mm	56.0mm	8.5mm	36.6mm
408-01-8	0-12.7mm	0.007mm	0.001mm	Bluetooth	45.1mm	46.8mm	13.5mm	56.0mm	8.5mm	27.8mm
408-02-8	0-25.4mm	0.008mm	0.001mm	Bluetooth	54.2mm	75.0mm	27.0mm	56.0mm	8.5mm	36.6mm
408-03-8	0-50.8mm	0.010mm	0.001mm	Bluetooth	80.2mm	99.5mm	52.0mm	56.0mm	8.5mm	36.6mm
408-04-8	0-101.6mm	0.015mm	0.001mm	Bluetooth	130.3mm	149.5mm	103.4mm	56.0mm	8.5mm	36.6mm



Digital Indicators

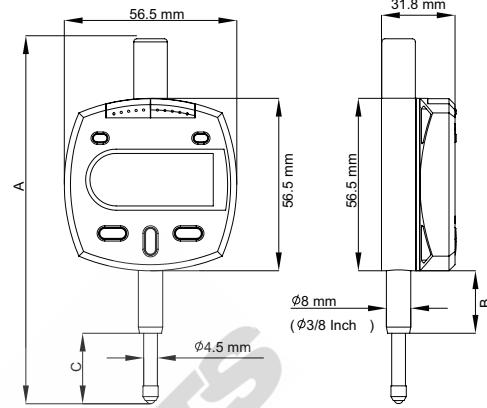
405 Series



405-01-4



405-02-4



FEATURES

- Resolution:
 - Inch: .0005"; .00005"
 - Metric: 0.01mm; 0.001mm
- The maximum, minimum, or runout value can be displayed during measurement.
- Tolerance measurement feature allows for the upper and lower tolerance for maximum and minimum.
- Inch/Metric and ABS/INC conversion
- Flat back (attached) and lug back supplied
- Ø8mm stem diameter for metric models
- Ø3/8" stem diameter for inch models
- Cable data output: 900-20-0

Inch				Dimensions		
Code No.	Range	Resolution	Accuracy	A	B	C
405-95-1	0-.5"	.0005"	±.0015"	122mm	26mm	24mm
405-01-1	0-1"	.0005"	±.0015"	174mm	47mm	41mm
405-02-1	0-2"	.0005"	±.0015"	248mm	71mm	61mm
405-04-1	0-4"	.0005"	±.0015"	396mm	35mm	102mm
405-95-5	0-.5"	.00005"	±.00015"	122mm	26mm	24mm
405-01-5	0-1"	.00005"	±.00015"	174mm	47mm	41mm
405-02-5	0-2"	.00005"	±.0002"	248mm	71mm	61mm
405-04-5	0-4"	.00005"	±.0003"	396mm	35mm	102mm

Metric				Dimensions		
Code No.	Range	Resolution	Accuracy	A	B	C
405-95-0	0-12.7mm	0.01mm	0.02mm	122mm	26mm	24mm
405-01-0	0-25.4mm	0.01mm	0.02mm	174mm	47mm	41mm
405-02-0	0-50.8mm	0.01mm	0.02mm	248mm	71mm	61mm
405-04-0	0-101.6mm	0.01mm	0.03mm	396mm	35mm	102mm
405-95-4	0-12.7mm	0.001mm	0.004mm	122mm	26mm	24mm
405-01-4	0-25.4mm	0.001mm	0.005mm	174mm	47mm	41mm
405-02-4	0-50.8mm	0.001mm	0.006mm	248mm	71mm	61mm
405-04-4	0-101.6mm	0.001mm	0.008mm	396mm	35mm	102mm



Digital Indicators With Analog Display

406 Series



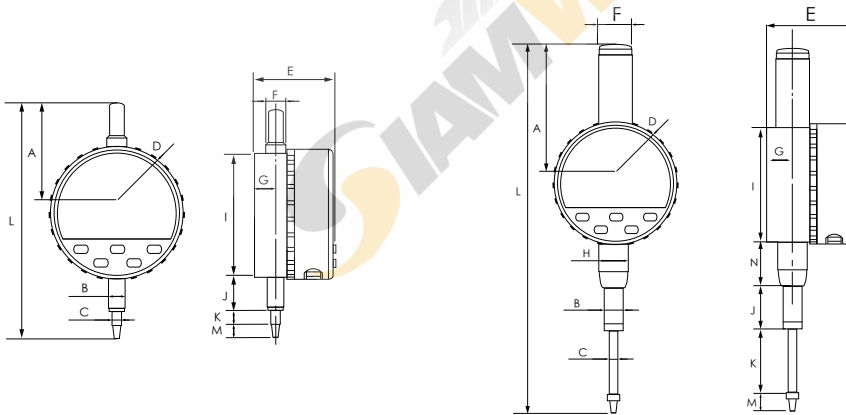
406-05-0

Inch			
Code No.	Range	Resolution	Accuracy
406-25-1	0-.25"	.00005"	±.0003"
406-05-1	0-.5"	.00005"	±.0003"
406-01-1	0-1"	.00005"	±.0006"

Metric			
Code No.	Range	Resolution	Accuracy
406-25-0	0-6.35mm	0.002mm	0.006mm
406-05-0	0-12.7mm	0.002mm	0.008mm
406-01-0	0-25.4mm	0.002mm	0.015mm

FEATURES

- Resolution: .00005" / 0.002mm, 0.001mm
- Absolute measurement
- 330 deg. screen rotation
- Inch/Metric conversion
- Auto power On/Off
- Flat back(attached) and lug back supplied
- Ø8mm stem diameter for metric models
Ø3/8" stem diameter for inch models



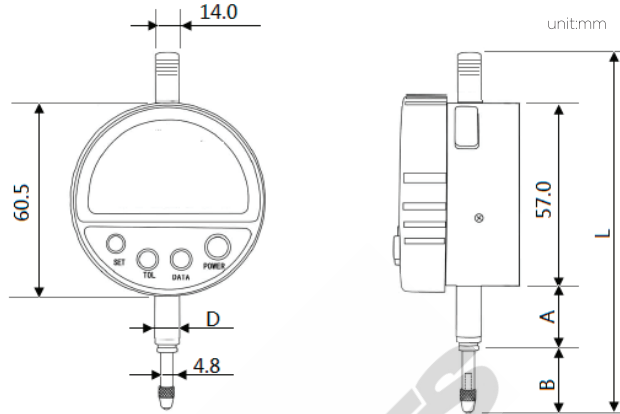
Inch	Metric	Dimensions													
Range	Range	A	B	C	D	E	F	G	H	I	J	K	L	M	N
0-.25"	0-6.35mm	45.8mm	8mm	4.5mm	63mm	10mm	39mm	10mm	-	59mm	22mm	8mm	115mm	10mm	-
0-.5"	0-12.7mm	55mm	8mm	4.5mm	63mm	10mm	39mm	10mm	-	59mm	22mm	14.5mm	131mm	10mm	-
0-1"	0-25.4mm	71mm	8mm	4.5mm	63mm	16mm	45mm	10mm	14mm	59mm	22mm	32mm	190mm	10mm	25mm



High-Precision Digital Indicators

406 Series

NEW



FEATURES

- Inch: .00002", .00005"
Metric: 0.0005mm, 0.001mm
- Absolute measurement
- 270 deg. screen rotation
- Inch/Metric conversion
- Relative measurement/absolute measurement

- conversion
- Extreme value measurement: max, min, max-min
- Set it to zero anywhere
- Locking in value
- Tolerance setting
- Change of direction of measurement



- Analog pointer display: display measurement direction, out of tolerance alarm
- Automatic shutdown, low battery warning
- Type-C charging supports the charging bank
- Virtual keyboard protocol, standard data acquisition

Inch				Dimensions			
Code No.	Range	Resolution	Accuracy	L	A	B	D
406-05-7	0-0.5"	.00005"	±.00008"	4.69"	0.87"	0.87"	3/8"
406-01-7	0-1"	.00005"	±.0001"	5.98"	0.79"	1.38"	3/8"
406-02-7	0-2"	.00005"	±.0002"	8.76"	0.79"	2.38"	3/8"
406-05-9	0-0.5"	.00002"	±.00008"	4.69"	0.87"	0.87"	3/8"
406-01-9	0-1"	.00002"	±.00008"	5.98"	0.79"	1.38"	3/8"
406-02-9	0-2"	.00002"	±.00016"	8.76"	0.79"	2.38"	3/8"

Metric				Dimensions			
Code No.	Range	Resolution	Accuracy	L	A	B	D
406-05-6	0-12.7mm	0.001mm	0.002mm	119mm	22mm	22mm	8mm
406-01-6	0-25.4mm	0.001mm	0.003mm	152mm	20mm	35mm	8mm
406-02-6	0-50.8mm	0.001mm	0.005mm	222.5mm	20mm	60.5mm	8mm
406-05-8	0-12.7mm	0.0005mm	0.002mm	119mm	22mm	22mm	8mm
406-01-8	0-25.4mm	0.0005mm	0.002mm	152mm	20mm	35mm	8mm
406-02-8	0-50.8mm	0.0005mm	0.004mm	222.5mm	20mm	60.5mm	8mm

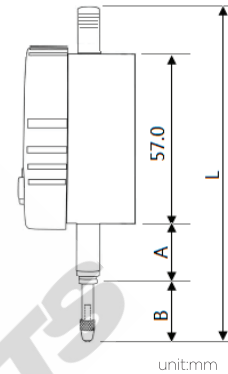
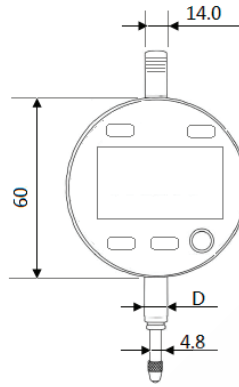


High-Precision Digital Indicators

405 Series



405-05-8



unit:mm

FEATURES

- Resolution: .00002" or .00005" switchable, 0.0005mm or 0.001mm switchable
- Absolute measurement
- Built in bluetooth data transmission
- Inch/Metric conversion
- Relative measurement/absolute measurement
- Conversion
- Extreme value measurement: max, min, max-min
- Set it to zero anywhere
- Locking in value
- Tolerance setting
- Change of direction of measurement
- Automatic shutdown, low battery warning
- Type-C charging supports the charging bank
- Virtual keyboard protocol, standard data acquisition



Inch			Dimensions			
Code No.	Range	Accuracy	L	A	B	D
405-05-9	0-0.5"	±.00008"	4.69"	0.87"	0.87"	3/8"
405-01-9	0-1"	±.00008"	5.98"	0.79"	1.38"	3/8"
405-02-9	0-2"	±.00016"	8.76"	0.79"	2.38"	3/8"

Metric			Dimensions			
Code No.	Range	Accuracy	L	A	B	D
405-05-8	0-12.7mm	0.002mm	119mm	22mm	22mm	8mm
405-01-8	0-25.4mm	0.002mm	152mm	20mm	35mm	8mm
405-02-8	0-50.8mm	0.004mm	222.5mm	20mm	60.5mm	8mm



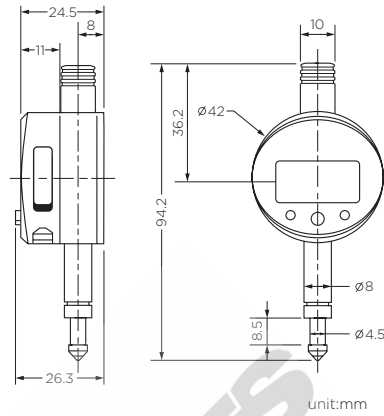
Small Range Digital Indicators

405 Series

NEW



405-05-1



FEATURES

- Small size, suitable for limited space
- Absolute/incremental measurement
- Preset real position value
- Metric-inch conversion at any position
- With data output interface
- Auto/manual shutdown
- The main body is made of aerometal

Inch			
Code No.	Range	Resolution	Accuracy
405-05-1	0-.2"	.0005"	±.0008"
405-05-3	0-.2"	.00005"	±.0002"

Metric			
Code No.	Range	Resolution	Accuracy
405-05-0	0-5mm	0.01mm	0.02mm
405-05-2	0-5mm	0.001mm	0.004mm

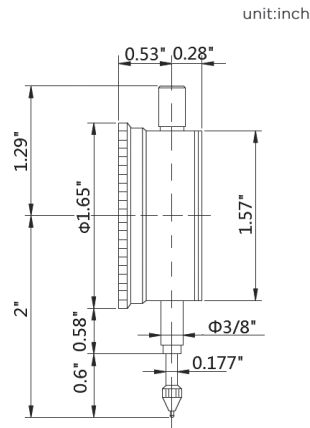


AGD1 Dial Indicators

401 Series



401-06-1



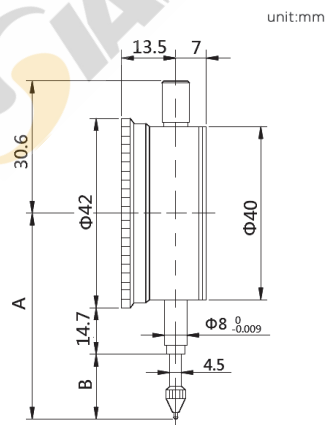
FEATURES

- Graduation:
Inch: .0005" / .001"
Metric: 0.01mm
- Dial face dia.: $\Phi 1.61"$ / $\Phi 42$ mm
- Jeweled
- Flat back (attached) and lug back supplied
- Inch models without revolution counter

Code No.	Range	Graduation	Range/Rev.	Dial Reading	Accuracy
401-06-1	0-.25"	.001"	.1"	0-100	$\pm .001"$
401-06-3	0-.25"	.001"	.1"	0-50-0	$\pm .001"$
401-06-5	0-.25"	.0005"	.05"	0-25-0	$\pm .0005"$
401-03-1	0-3mm	0.01mm	0.5mm	0-50	± 0.01 mm
401-05-1	0-5mm	0.01mm	0.5mm	0-50	± 0.012 mm
401-05-3	0-5mm	0.01mm	0.5mm	0-25-0	± 0.012 mm



401-03-0



FEATURES

- Graduation: 0.01mm
- Dial face dia.: $\Phi 1.61"$ / $\Phi 42$ mm
- Jeweled
- Flat back (attached) and lug back supplied
- Inch models without revolution counter

Code No.	Range	Graduation	Range/Rev.	Dial Reading	Accuracy	Dimensions	
						A	B
401-03-0	0-3mm	0.01mm	0.5mm	0-50	0.010mm	46.4mm	10.7mm
401-05-0	0-5mm	0.01mm	0.5mm	0-50	0.012mm	48.4mm	12.7mm
401-05-2	0-5mm	0.01mm	0.5mm	0-25-0	0.012mm	48.4mm	12.7mm



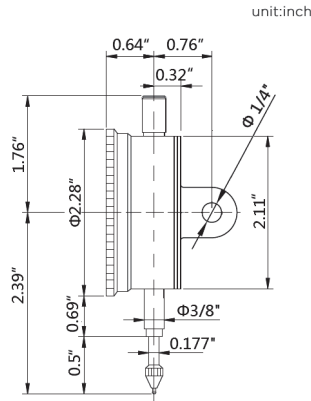
AGD2 Dial Indicators

402 Series

Stem Diameter $\varnothing 3/8"$



402-01-5



unit:inch

FEATURES

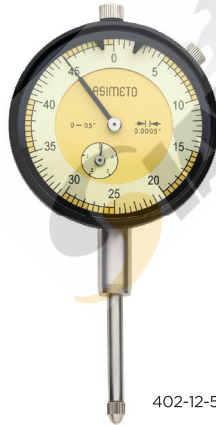
- Graduation: Inch: .0001"
- Easy to read dial face
- Jeweled
- Internal tolerance marker
- Flat back (attached) and lug back supplied
- With counter pointer

Code No.	Range	Graduation	Range/Rev.	Dial Reading	Accuracy
402-01-1	0-.05"	.0001"	.01"	0-100	$\pm 0.0001"$
402-01-3	0-.05"	.0001"	.01"	0-50-0	$\pm 0.0001"$
402-01-5	0-.05"	.0001"	.01"	0-5-0	$\pm 0.0001"$

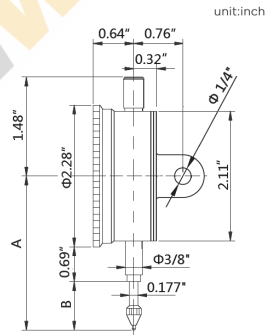
Stem Diameter $\varnothing 3/8"$



402-06-3



402-12-5



unit:inch

FEATURES

- Graduation: Inch: .001" / .0005"
- Easy to read dial face
- Internal tolerance marker
- Flat back (attached) and lug back supplied
- With counter pointer

Code No.	Range	Graduation	Range/Rev.	Dial Reading	Accuracy	A	B
402-06-1	0-.25"	.001"	.1"	0-100	$\pm 0.002"$	2.54"	0.71"
402-06-3	0-.25"	.001"	.1"	0-50-0	$\pm 0.002"$	2.54"	0.71"
402-06-5	0-.25"	.0005"	.05"	0-25-0	$\pm 0.0015"$	2.54"	0.71"

Code No.	Range	Graduation	Range/Rev.	Dial Reading	Accuracy	A	B
402-12-1	0-.50"	.001"	.1"	0-100	$\pm 0.002"$	2.74"	0.91"
402-12-3	0-.50"	.001"	.1"	0-50-0	$\pm 0.002"$	2.74"	0.91"
402-12-5	0-.50"	.0005"	.05"	0-50	$\pm 0.002"$	2.74"	0.91"
402-26-1	0-1"	.001"	.1"	0-100	$\pm 0.002"$	3.21"	1.38"
402-26-3	0-1"	.001"	.1"	0-50-0	$\pm 0.002"$	3.21"	1.38"
402-26-5	0-1"	.0005"	.05"	0-50	$\pm 0.002"$	3.21"	1.38"



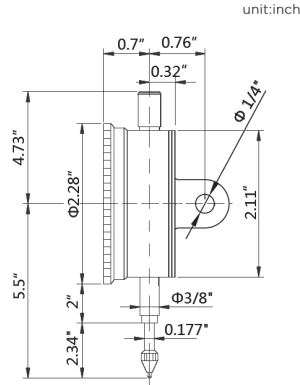
AGD2 Dial Indicators

402 Series

Stem Diameter $\varnothing 3/8"$



402-51-1



FEATURES

- Graduation: Inch: .001"
- Easy to read dial face
- Internal tolerance marker
- Flat back (attached) and lug back supplied
- With counter pointer

Inch					
Code No.	Range	Graduation	Range/Rev.	Dial Reading	Accuracy
402-51-1	0-2"	.001"	.1"	0-100	±.004"

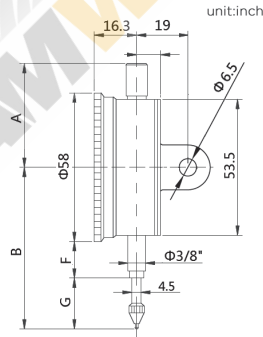
Stem Diameter $\varnothing 3/8"$



402-03-1



402-10-1



FEATURES

- Graduation: 0.01mm
- Easy to read dial face
- Jeweled
- Internal tolerance marker
- Flat back (attached) and lug back supplied
- With counter pointer

Dimensions									
Code No.	Range	Graduation	Range/Rev.	Dial Reading	Accuracy	A	B	F	G
402-03-1	0-3mm	0.01mm	1mm	0-100	±0.01mm	43.7mm	68.5mm	18.3mm	15mm
402-03-3	0-3mm	0.01mm	1mm	0-50-0	±0.01mm	43.7mm	68.5mm	18.3mm	15mm
402-05-1	0-5mm	0.01mm	1mm	0-100	±0.012mm	43.7mm	68.5mm	18.3mm	15mm
402-05-3	0-5mm	0.01mm	1mm	0-50-0	±0.012mm	43.7mm	68.5mm	18.3mm	15mm

Dimensions									
Code No.	Range	Graduation	Range/Rev.	Dial Reading	Accuracy	A	B	F	G
402-10-1	0-10mm	0.01mm	1mm	0-100	0.015mm	43.7mm	68.5mm	18.3mm	15mm
402-10-3	0-10mm	0.01mm	1mm	0-50-0	0.015mm	43.7mm	68.5mm	18.3mm	15mm
402-20-1	0-20mm	0.01mm	1mm	0-50-0	0.025mm	37.5mm	80.5mm	17.5mm	34mm
402-25-3	0-25mm	0.01mm	1mm	0-50-0	0.035mm	37.5mm	80.5mm	17.5mm	34mm



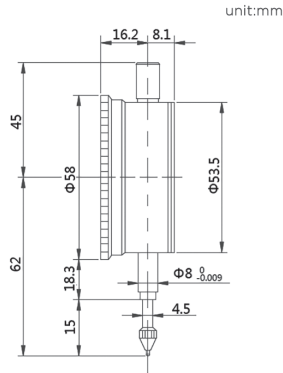
AGD2 Dial Indicators

402 Series

Stem Diameter Ø8mm



402-01-0



FEATURES

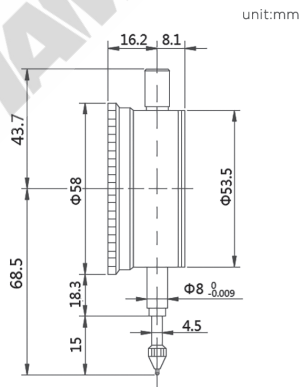
- Graduation: 0.001mm / 0.002mm
- Easy to read dial face
- Jeweled
- Internal tolerance marker
- Flat back (attached) and lug back supplied
- With counter pointer

Code No.	Range	Graduation	Range/Rev.	Dial Reading	Accuracy
402-01-0	0-1mm	0.001mm	0.2mm	0-200	0.005mm
402-01-2	0-1mm	0.001mm	0.2mm	0-100-0	0.005mm
402-01-6	0-1mm	0.002mm	0.4mm	0-100-0	0.006mm
402-01-7	0-1mm	0.002mm	0.4mm	0-100-0	0.006mm
402-01-8	0-1mm	0.001mm	0.1mm	0-100	0.005mm

Stem Diameter Ø8mm



402-10-0



FEATURES

- Graduation: 0.01mm
- Easy to read dial face
- Jeweled
- Internal tolerance marker
- Flat back (attached) and lug back supplied
- With counter pointer

Code No.	Range	Graduation	Range/Rev.	Dial Reading	Accuracy
402-03-0	0-3mm	0.01mm	1mm	0-100	0.010mm
402-03-2	0-3mm	0.01mm	1mm	0-50-0	0.010mm
402-05-0	0-5mm	0.01mm	1mm	0-100	0.012mm
402-05-2	0-5mm	0.01mm	1mm	0-50-0	0.012mm
402-10-0	0-10mm	0.01mm	1mm	0-100	0.015mm
402-10-2	0-10mm	0.01mm	1mm	0-50-0	0.015mm



AGD2 Dial Indicators

402 Series

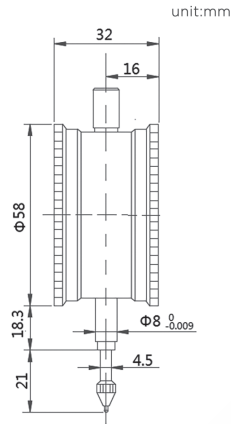


Stem Diameter Ø8mm



402-11-0

402-11-0



FEATURES

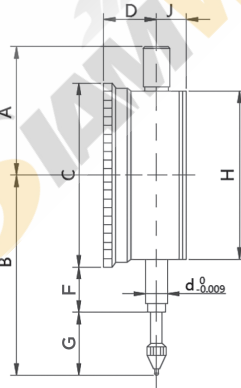
- Graduation: 0.01mm
- Easy to read dial face
- Jeweled
- Internal tolerance marker
- With counter pointer

Metric					
Code No.	Range	Graduation	Range/Rev.	Dial Reading	Accuracy
402-11-0	0-10mm	0.01mm	1mm	0-50-0	0.015mm
				0-100	

Stem Diameter Ø8mm/Ø10mm



402-20-0



FEATURES

- Graduation: 0.01mm
- Easy to read dial face
- Jeweled
- Internal tolerance marker
- Flat back (attached) and lug back supplied
- With counter pointer

Metric							Dimensions								
Code No.	Range	Graduation	Range/Rev.	Dial Reading	Accuracy	A	B	C	D	F	G	H	J	d	
402-20-0	0-20mm	0.01mm	1mm	0-50-0	0.25mm	37.5mm	80.5mm	58mm	16.3mm	17.5mm	34mm	53.5mm	8.4mm	Ø8mm	
402-20-2	0-20mm	0.01mm	1mm	0-100	0.25mm	37.5mm	80.5mm	58mm	16.3mm	17.5mm	34mm	53.5mm	8.4mm	Ø8mm	
402-25-0	0-25mm	0.01mm	1mm	0-50-0	0.035mm	37.5mm	80.5mm	58mm	16.3mm	17.5mm	34mm	53.5mm	8.4mm	Ø8mm	
402-25-2	0-25mm	0.01mm	1mm	0-100	0.035mm	37.5mm	80.5mm	58mm	16.3mm	17.5mm	34mm	53.5mm	8.4mm	Ø8mm	
402-30-0	0-30mm	0.01mm	1mm	0-100	0.035mm	37.5mm	88mm	58mm	16mm	21.5mm	37.5mm	53.5mm	9mm	Ø8mm	
402-30-2	0-30mm	0.01mm	1mm	0-50-0	0.035mm	37.5mm	88mm	58mm	16mm	21.5mm	37.5mm	53.5mm	9mm	Ø8mm	
402-50-0	0-50mm	0.01mm	1mm	0-100	0.035mm	108.3mm	126.2mm	58mm	19.2mm	39.5mm	57.7mm	53.5mm	8mm	Ø8mm	
402-00-0	0-100mm	0.01mm	1mm	0-100	0.050mm	167.6mm	207.8mm	78mm	19.8mm	60.8mm	108mm	69mm	9mm	Ø10mm	



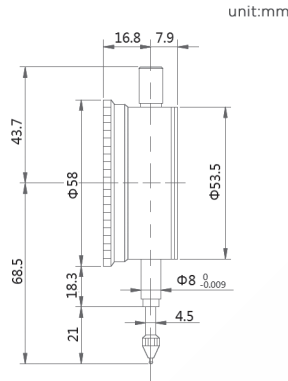
AGD2 Dial Indicators Shock Proof Series

402 Series

Stem Diameter Ø8mm



402-20-8



FEATURES

- Graduation: 0.01mm
- Easy to read dial face
- Jeweled
- Internal tolerance marker
- Flat back (attached) and lug back supplied
- With counter pointer

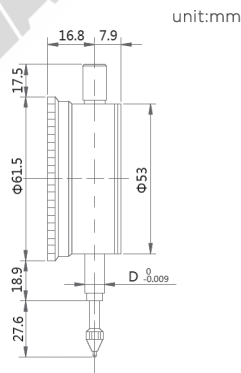
Metric					
Code No.	Range	Graduation	Range/Rev.	Dial Reading	Accuracy
402-05-4	0-5mm	0.01mm	1mm	0-100	0.012mm
402-10-8	0-10mm	0.01mm	1mm	0-100	0.015mm
402-20-8	0-20mm	0.01mm	1mm	0-100	0.025mm

IP54 Water Proof Series

402 Series



402-10-4



FEATURES

- Graduation:
inch: .001" / .0005"
Metric: 0.01mm
- Easy to read dial face
- Jeweled
- Internal tolerance marker
- Flat back (attached) and lug back supplied
- With counter pointer

Code No.	Range	Graduation	Range/Rev.	Dial Reading	Accuracy	D
Stem Dia. Ø8mm						
402-10-4	0-10mm	0.01mm	1mm	0-100	0.015mm	Ø8mm
Stem Dia. Ø3/8"						
402-26-7	0-0.4"	.001"	.1"	0-100	.002"	Ø3/8"
Stem Dia. Ø3/8"						
402-26-9	0-0.4"	.0005"	.05"	0-50	.0015"	Ø3/8"